

ULTRA-ZONE®

Forced Air Zone Controls

SUBMITTAL SHEET

Model R1 (90-370)
SPDT Relay with 24vac Coil

The Model R1 is a heavy duty general purpose Single Pole Double Throw Relay. The Model R1 features a compact and totally enclosed design for use in HVAC applications and general switching. The Model R1 is quiet, reliable and economical.

Technical Data

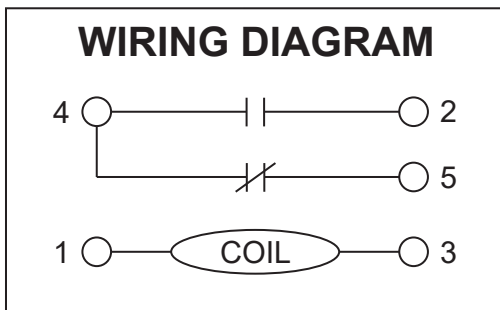
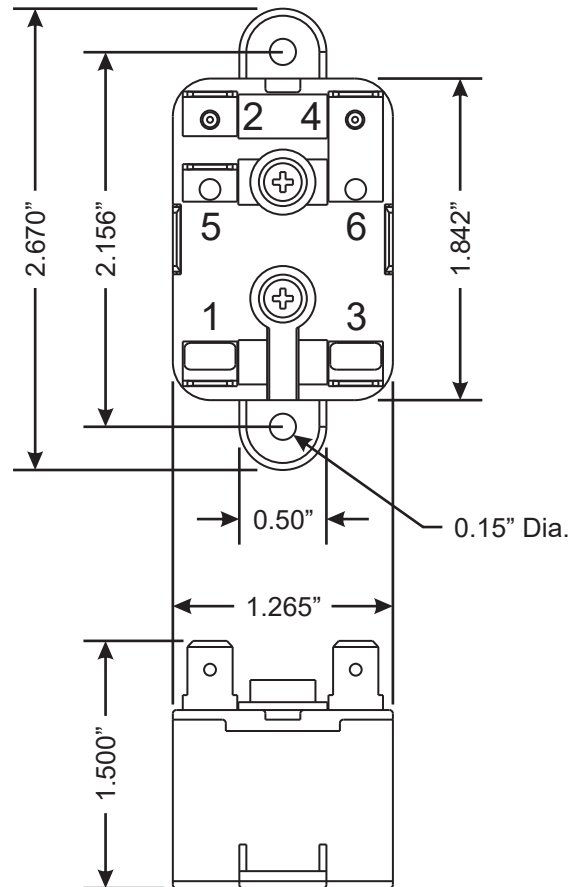
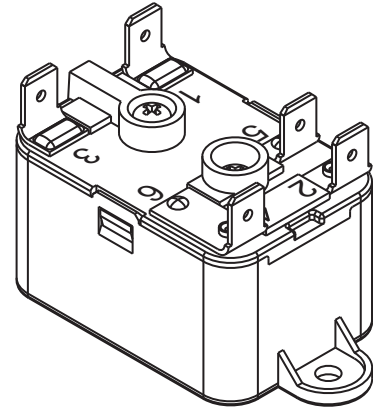
Temperature Range.....-40°F to 150°F
 Mechanical Life (No Load).....1,000,000 operations, 120 operations/min
 Electrical Life (Rated Load).....100,000 operations, 6 operations/min.
 Load test making inrush rating (0.4 to 0.5 P.F.); breaking 100% continuous rating (0.65 to 0.8 P.F)
 Weight (approximate).....2.3 oz.
 Agency Listings.....U.L. File number E12139 or E22381;
 C.S.A. File number LR13360.

COIL DATA

Voltage.....24vac, 50/60 Hz
 DC Resistance.....77 Ω
 Nominal Current.....125 mA
 Nominal VA Sealed.....3 VA
 Inrush VA.....4 VA
 Duty Cycle.....Continuous
 Insulation.....Class B
 Termination.....1/4" Quick Connect

CONTACT RATING

Inductive.....12 Amps. Continuous;
 60 Amps. Inrush @ 125 VAC
 8 Amps. Continuous;
 48 Amps. Inrush @ 250 VAC
 Resistive.....18 Amps. Continuous @ 277 VAC



Excellence Without Compromise



385 Hwy. 33
 Englishtown, NJ 07726
 Ph: 800-446-3110
 Fx: 732-446-5362

SUBMITTAL FORM

SUBMITTED BY: _____
 JOB: _____
 ARCHITECT: _____
 ENGINEER: _____
 CONTRACTOR: _____
 LOCATION: _____