

ULTRA-ZONE[®]

Forced Air Zone Controls

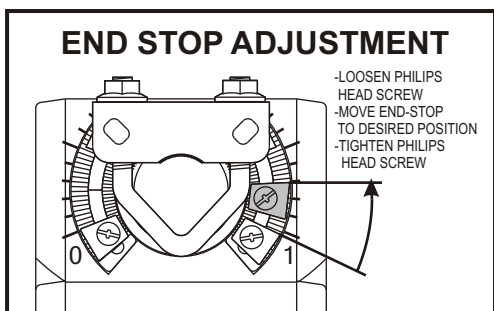
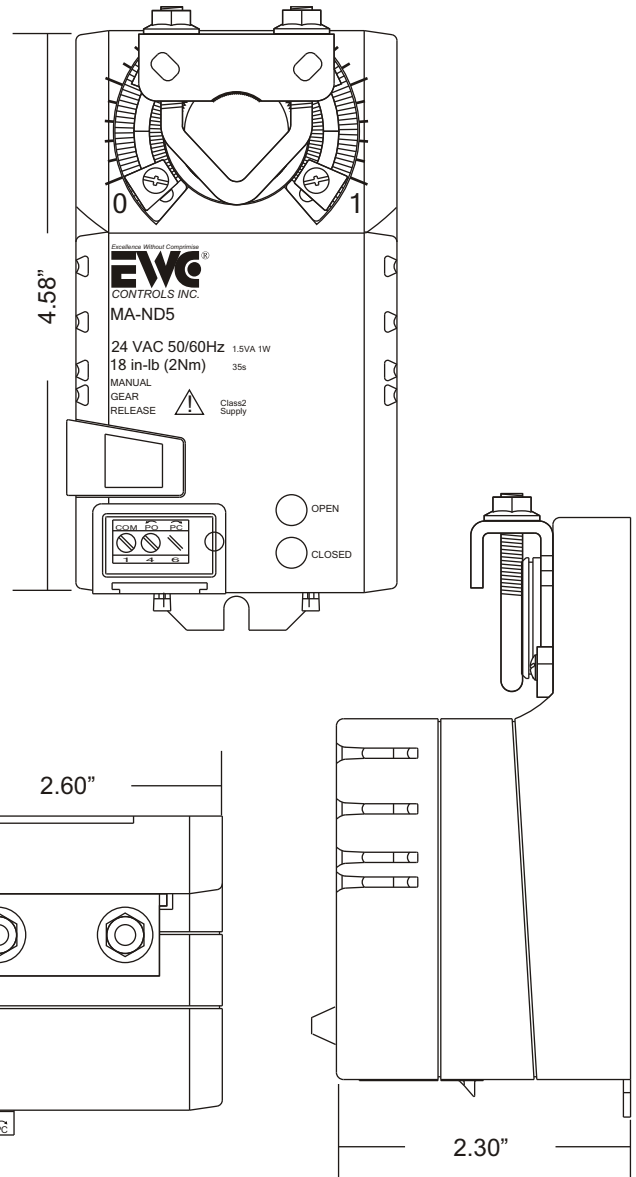
SUBMITTAL SHEET

Model MA-ND5 Actuator

The NEW MA-ND5 motor actuators are easy to install, easy to wire up, and come with a 5 year warranty. The superior design insures long life and no maintenance. The UL Listed Motor Actuator is a 24vac 3 wire power open / power close type rated at 18" lbs. of torque. The MA-ND5 motor features bright Green and Red LED's which correspond to the OPEN and CLOSED position of the blade. The motor also includes End-Stops for Min/Max position capability to allow adjustment of the design CFM flow into a particular zone or area. The MA-ND5 is a direct replacement for MA-ND3 or MA-ND4 actuators. The MA-ND5 will accept an Auxiliary Switch device (Model S1A), allowing control of Auxiliary functions such as equipment interlock or Fail-Safe circuits. *The Motor can be oriented in any position in a conditioned area.*

Technical Data

Power Supply	24 VAC± 20%
	50/60Hz
Power Consumption	1.1 W
Transformer Sizing	1.5 VA(Class 2 power source)
Torque	18 in-lb [2 Nm]
Manual Override	External Push Button
Rotation	95 degrees - Reversible
Running Time	35 seconds, constant independent of load
Control	On / Off or Floating Point
Humidity	5 to 95% RH Non-Condensing
Ambient Temperature	-22°F to +140°F [-30°C to +60°C]
Storage Temperature	-40°F to +176°F [-40°C to +80°C]
Housing	NEMA 1
Noise Level	<35dB(A)
Housing Material	UL94-5VA
Agency Listings	cULus



SUBMITTAL FORM

SUBMITTED BY: _____

JOB: _____

ARCHITECT: _____

ENGINEER: _____

CONTRACTOR: _____

LOCATION: _____



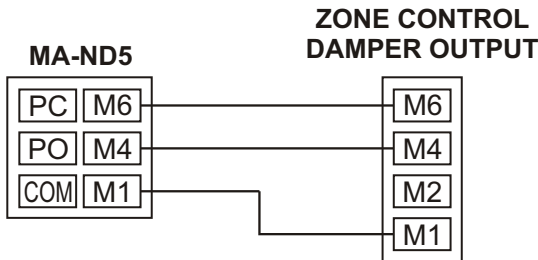
385 Hwy. 33
 Englishtown, NJ 07726
 Ph: 800-446-3110
 Fx: 732-446-5362

WIRING SOLUTIONS

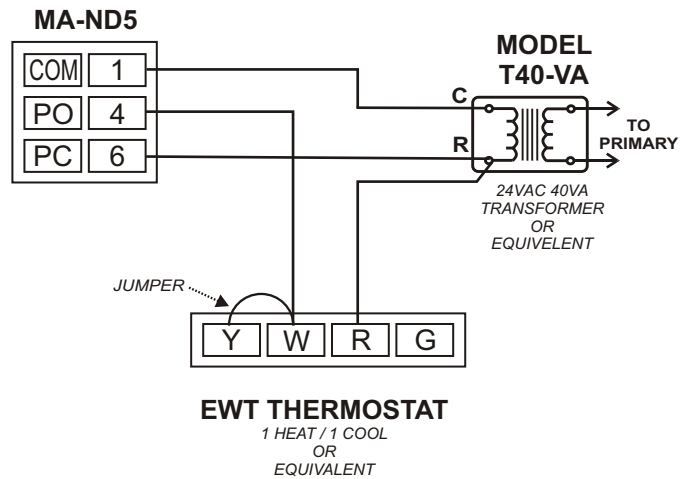
Motor Actuator Terminals

TERMINAL	DESCRIPTION
1 / COM	24v Common
4 / PO	24v Power to Open
6 / PC	24v Power to Close

Wiring to a Zone Control Panel



Wiring a Thermostat to Control a Single Damper



Wiring in Parallel

