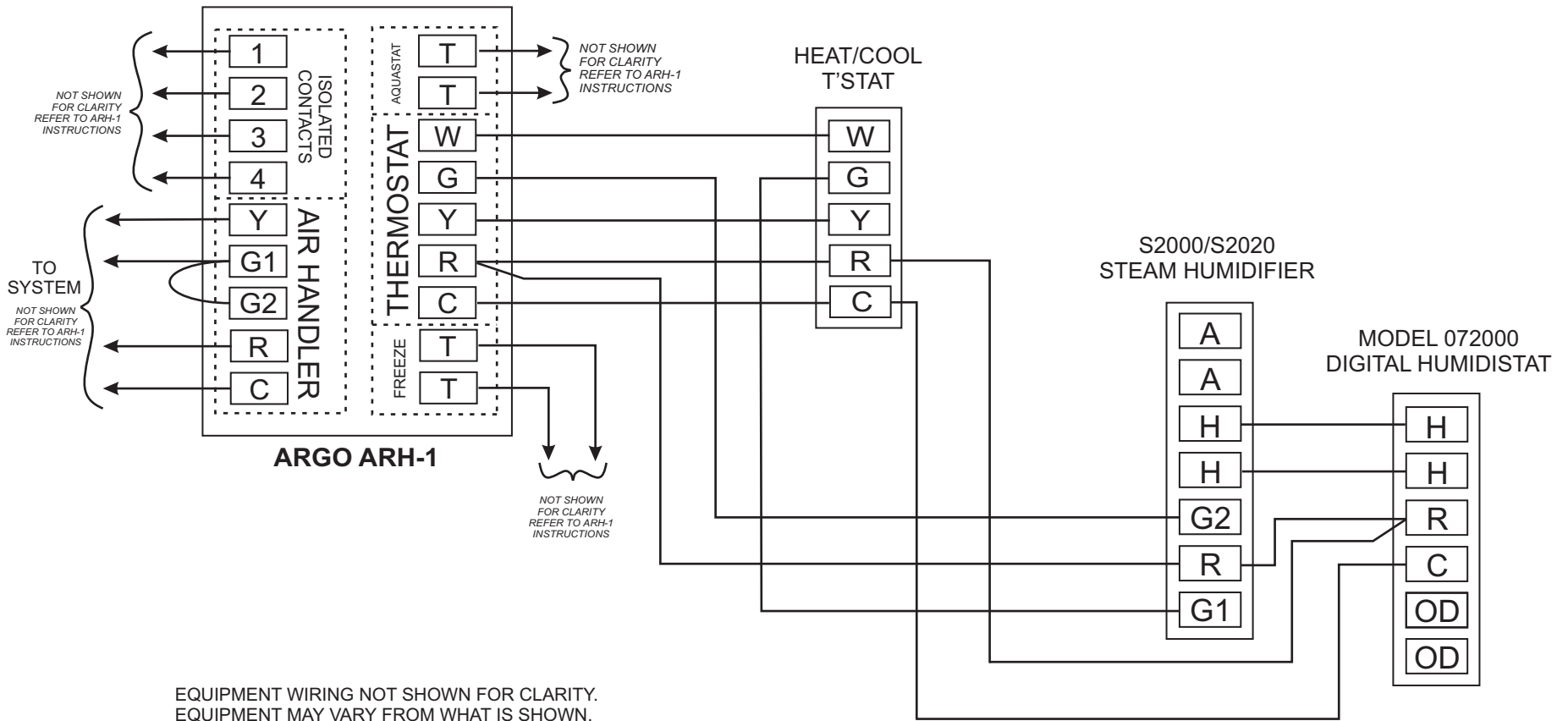


WIRING DIAGRAM



EQUIPMENT WIRING NOT SHOWN FOR CLARITY.
EQUIPMENT MAY VARY FROM WHAT IS SHOWN.

 EWC [®] CONTROLS INC. Englishtown, NJ 07726	DRAWING BY: PJC		DWG NAME: MODEL S2000/S2020 -- WIRED WITH ARGO ARH HYDRONIC PANEL.		DATE: 01/07/09
	SIZE: A	REV: A	DWG NO: 090512A0213		
	SHEET: 1 OF 1		COPYRIGHT © EWC CONTROLS INC. ALL RIGHTS RESERVED		

DISCLAIMER: EWC Controls Inc., Cannot be held liable for the use or misuse of this supplied information. It is the responsibility of the user to determine the suitability of the application. Malfunctions, improper operation, and/or subsequent damage to any related equipment or property damage as a result of using this supplied information is the responsibility of the user. EWC Controls Inc., is not responsible for any misapplications including, but not limited to negligence, defect in products(s), system incompatibility, poor workmanship and/or installation.