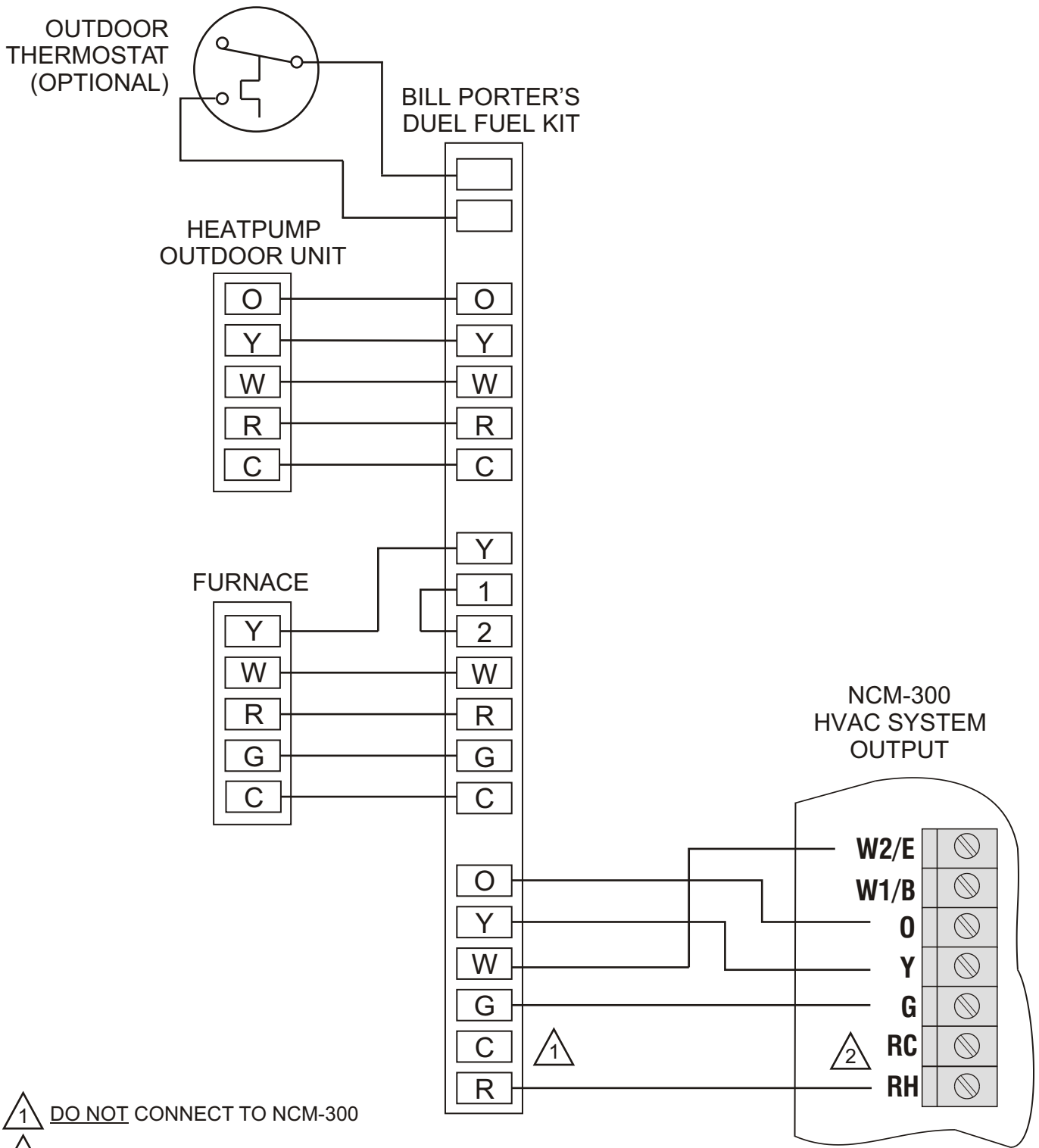



# WIRING DIAGRAM



- 1 DO NOT CONNECT TO NCM-300
- 2 NO JUMPER REQUIRED 'RC' TO 'RH'

|   |                     |   |  |               |
|---|---------------------|---|--|---------------|
| <br><b>EWC</b> <sup>®</sup><br><b>CONTROLS INC.</b><br>Englishtown, NJ 07726 | DWN ENG: EDK        |   | DWG NAME: NCM-300 DUAL FUEL W/ BILL PORTER DUAL FUEL KIT |               |
|   | SIZE: A             | DATE: 11/25/03                                    | DWG NO: 090512A0003                                      | REV: B        |
|   | SCALE: NOT TO SCALE | COPYRIGHT © EWC CONTROLS INC. ALL RIGHTS RESERVED |  | SHEET: 1 OF 1 |