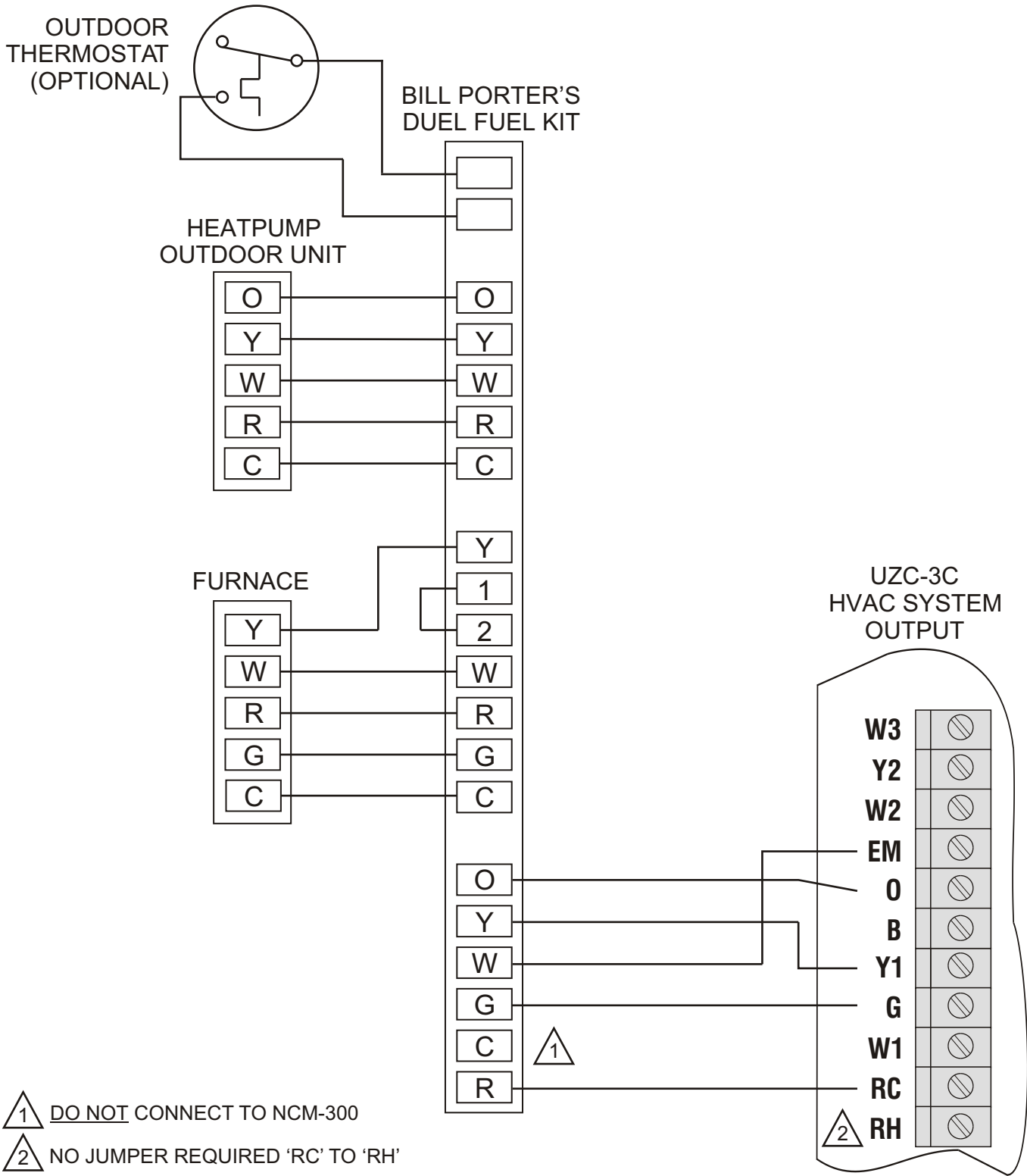


WIRING DIAGRAM

SINGLE STAGE HEATPUMP W/ SINGLE STAGE FURNACE



<p>EWC[®] CONTROLS INC. Englishtown, NJ 07726</p>	DWN ENG:	EDK			DWG NAME:	UZC-3C DUAL FUEL W/ BILL PORTER DUAL FUEL KIT		
	SIZE:	A	DATE:	12/18/03	DWG NO:	090512A0024	REV:	B
	SCALE:	NOT TO SCALE	COPYRIGHT © EWC CONTROLS INC. ALL RIGHTS RESERVED			SHEET:	1 OF 1	