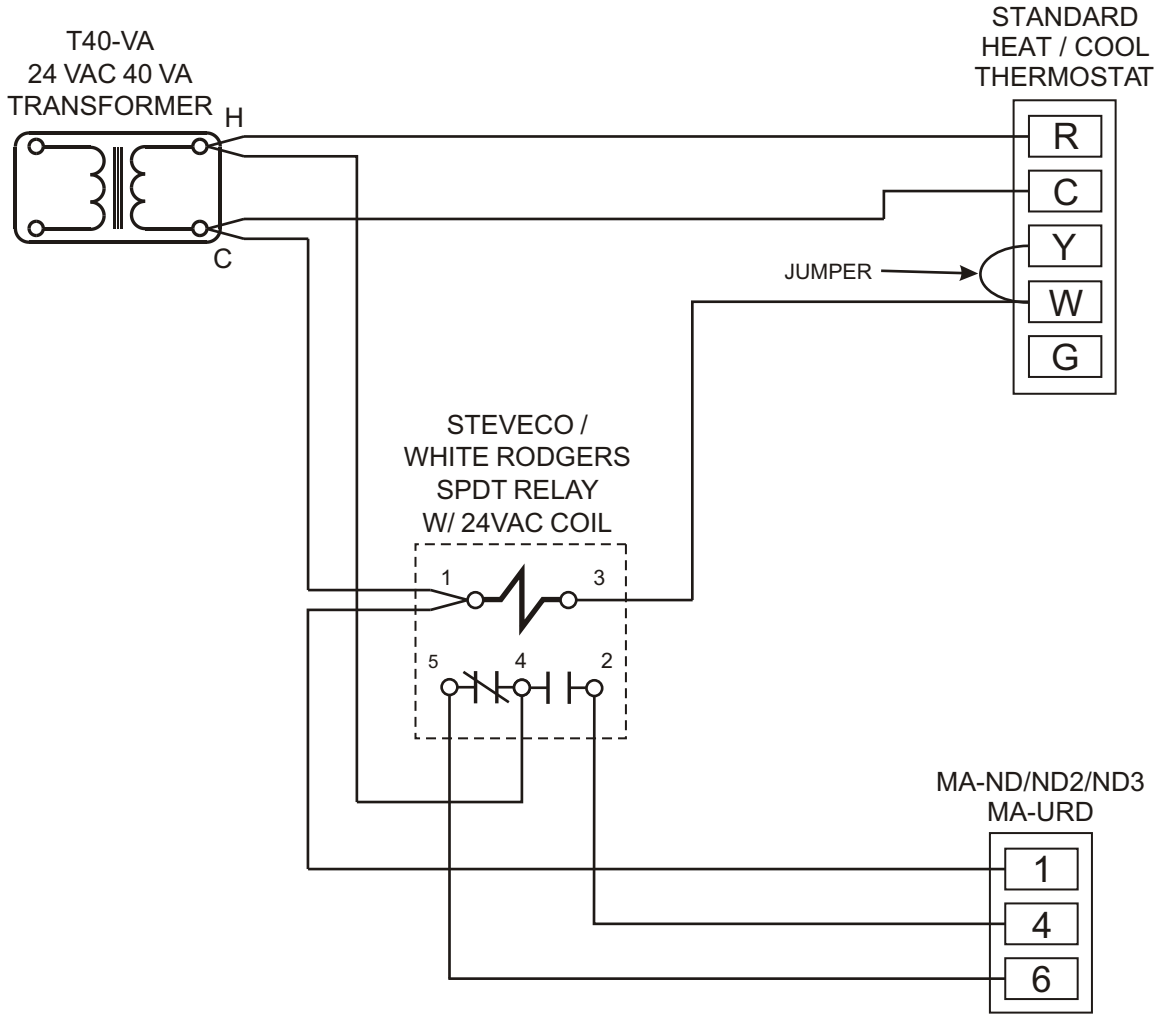



WIRING DIAGRAM



WIRING DAMPER TO OPEN ON HEAT OR COOL CALL USING
A STEVECO / WHITE RODGERS SPDT RELAY WITH A 24VAC COIL

 EWC [®] CONTROLS INC. Englishtown, NJ 07726	DWN ENG:	EDK		DWG NAME:	MODEL ND/URD DAMPER USED W/ STEVE CO RELAY AND T'STAT			
	SIZE:	A	DATE:	2/13/04	DWG NO:	090512A0048	REV:	A
	SCALE:	NOT TO SCALE	COPYRIGHT © EWC CONTROLS INC. ALL RIGHTS RESERVED		SHEET:	1 OF 1		