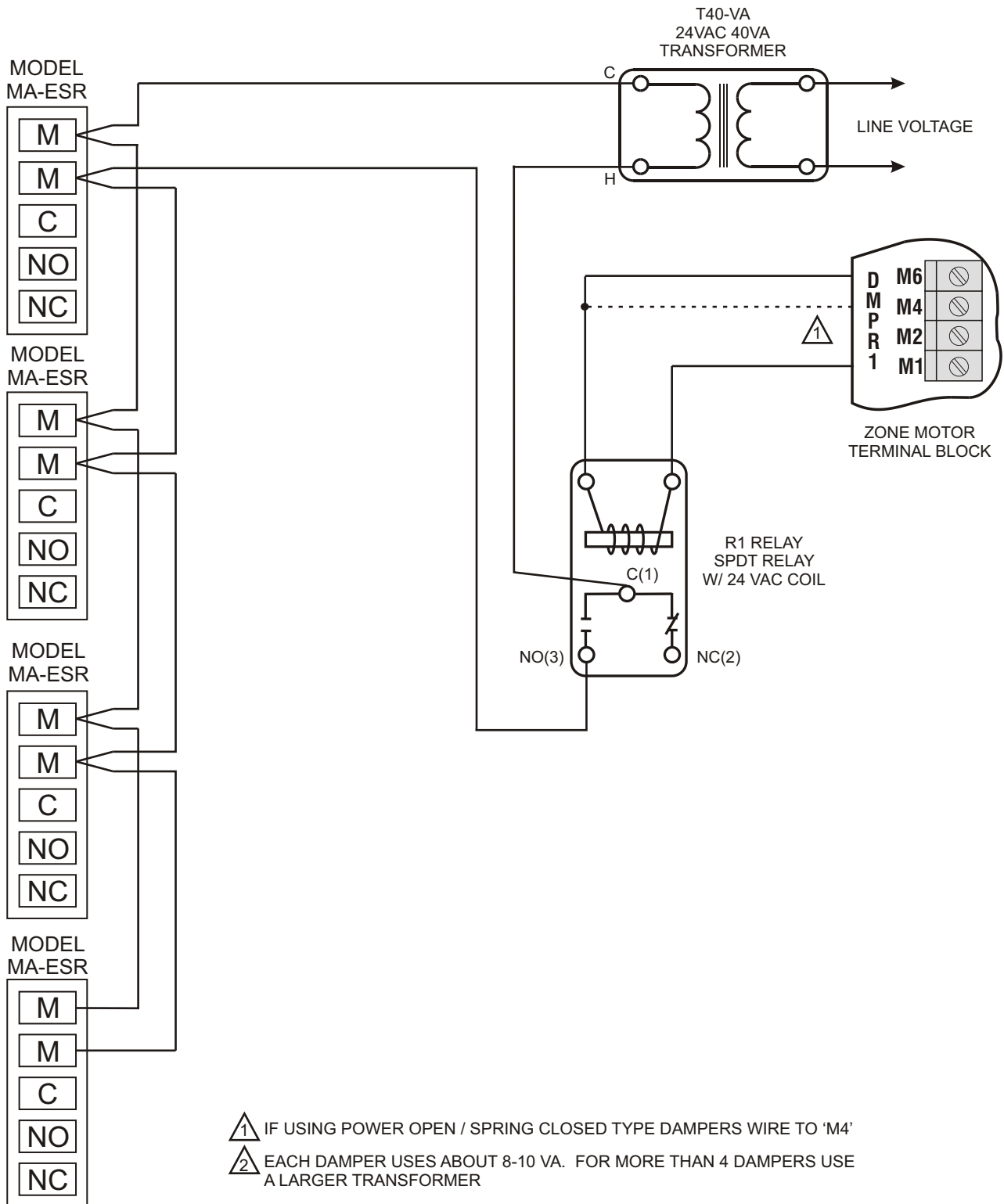


# WIRING DIAGRAM



<p><b>EWC</b><sup>®</sup> CONTROLS INC. Englishtown, NJ 07726</p>	DWN ENG: EDK		DWG NAME: MODEL MA-ESR -- POWER CLOSE / SPRING OPEN -- MULTIPLE DAMPERS ON ONE ZONE	
	SIZE: A	DATE: 01/27/04	DWG NO: 090512A0062	REV: B
	SCALE: NOT TO SCALE	COPYRIGHT © EWC CONTROLS INC. ALL RIGHTS RESERVED		SHEET: 1 OF 1