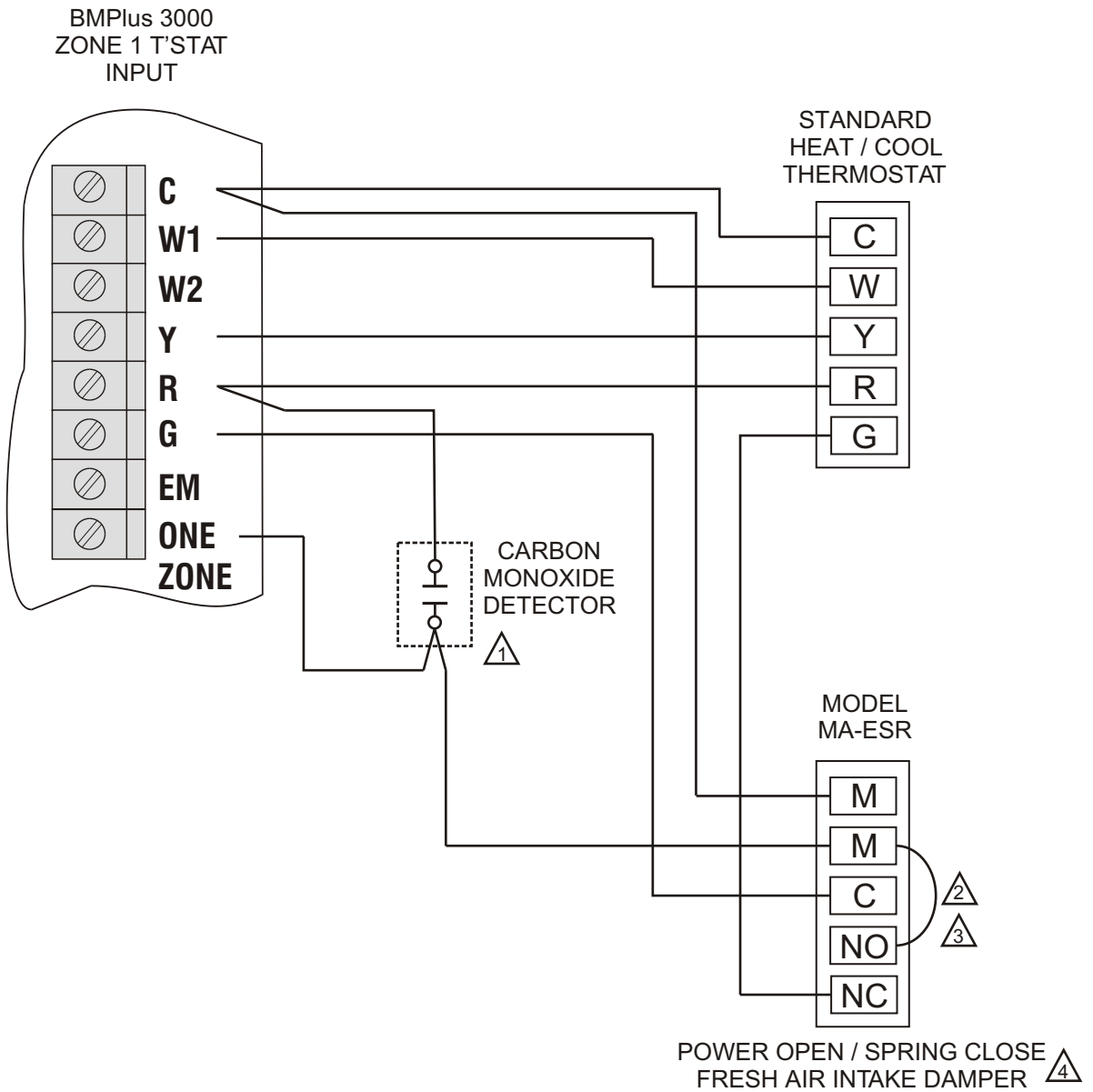


WIRING DIAGRAM



① STANDARD CARBON MONOXIDE DETECTOR WITH DRY-NORMALLY OPEN CONTACTS

② JUMPER 'M' TERMINAL TO 'NO' TERMINAL

③ ENDSWITCH WILL ALLOW CONTINUOUS FAN CALLS IN NORMAL OPERATION. FAN WILL BE FORCED ON WITH ALL ZONES OPEN IF CARBON MONOXIDE DETECTOR CLOSES ITS NORMALLY OPEN CONTACTS.

④ MODEL URD-ESR MUST BE FIELD REVERSED TO POWER OPEN / SPRING CLOSE
 MODEL ND-ESR MUST BE ORDERED POWER OPEN / SPRING CLOSE (IS NOT FIELD REVERSIBLE)

 EWC [®] CONTROLS INC. Englishtown, NJ 07726	DWN ENG:	EDK	DWG NAME:	BMPlus 3000 WIRED WITH CARBON MONOXIDE DETECTOR	
	SIZE:	A	DATE:	2/13/04	DWG NO:
					090512A0081
	SCALE:	NOT TO SCALE	COPYRIGHT © EWC CONTROLS INC.	ALL RIGHTS RESERVED	SHEET:
			REV:	A	